

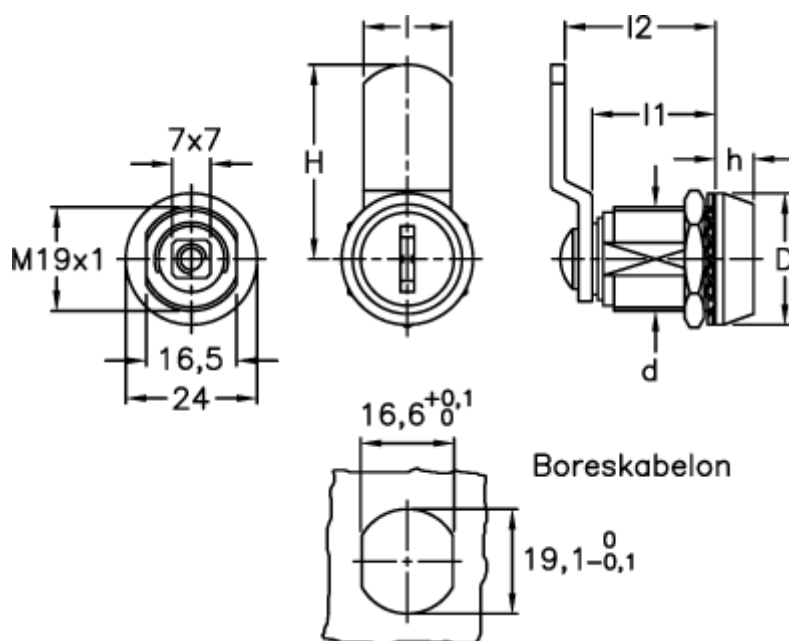
# Data Sheet



Article number: 2310421615

Description: E+G Latch w/safety lock  
CX/A-36-28

## Measures



D = 24

d = M19x1

H = 35.5

h = 7

l = 16

l1 = 22.5

l2 = 27.5